



DEWMARK HEAVY

SV 45/160/...

Aluminium profile

- Long service lifetime
- Attractive appearance
- For ultra-heavy loads
- Joint width up to 160 mm
- Total Movement 70 mm
- Movement in three directions



Technical Information

Profile	Joint width, F (mm)	Joint height, H (mm)	Visible width of profile, S (mm)	Overall width of profile, Sm (mm)	Horizontal movement, ΔF (mm)	Vertical movement, ΔFh (mm)	Allowable loads, kN			
SV 45/160/53	160	53	180	355	70 (+35/-35)	70 (+35/-35)	50	100	70	10
SV 45/160/80	160	80	180	355	70 (+35/-35)	70 (+35/-35)	50	100	70	10

Corner version (joint along wall)

SV-E 45/160/53	160	53	180	355	70 (+35/-35)	70 (+35/-35)	Pedestrian			
SV-E 45/160/80	160	80	180	355	70 (+35/-35)	70 (+35/-35)	Pedestrian			

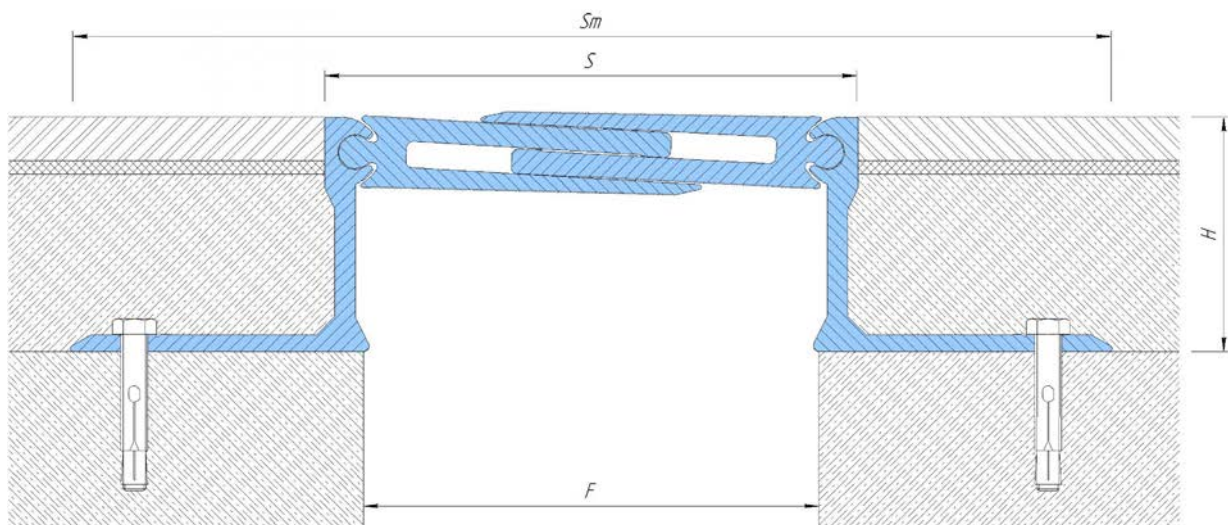
Material: Aluminium 6060

Color: Aluminium

Standard length: 3 meters

On order: anodization, wood grain decorating ; other profile height

Installation: Roughnesses of a surface on which the profile is fixed have to be eliminated by MAPEGROUT leveling solution or similar. Aluminum profiles have to be installed on both sides of a joint and are snugged by anchors, regarding the recommendations about the choice of a fixture. For simplification of installation of an insert please use WD-40 lubricant (or an analog). Follow recommendations about installation from the brochure "Selection and installation of the Dewmark profiles. General recommendations".



SV 45/160/80



DEWMARK
expansion joint systems