



# DEWMARK STANDART

## AV 13/...

### Aluminium profile with clip-ons

- For walls and floors
- Easy installation
- Attractive appearance
- Wide choice of coverages
- Joint width up to 80 mm



### Technical Information

Profile	Joint width, F (mm)	Installation height, H (mm)	Visible width of profile, S (mm)	Overall width of profile, Sm (mm)	Horizontal movement, ΔF (mm)	Vertical movement, ΔFh (mm)	Allowable loads, kN
AV 13/70/S W	20-40	40	70	70	20 (± 10)	10 (± 5)	–
AV 13/70/L W	40-60	60	70	70	20 (± 10)	10 (± 5)	–
AV 13/70/S F <sup>1</sup>	20-40	40	70	70	20 (± 10)	10 (± 5)	Pedestrian <sup>1</sup>
AV 13/70/L F <sup>1</sup>	30-60	60	70	70	20 (± 10)	10 (± 5)	Pedestrian <sup>1</sup>
AV 13/100/L F <sup>1</sup>	40-80	60	100	100	40 (± 20)	10 (± 5)	Pedestrian <sup>1</sup>
AV 13/150/L F <sup>1</sup>	40-80	60	150	150	40 (± 20)	10 (± 5)	Pedestrian <sup>1</sup>

### Corner version (joint along wall)

AV-E 13/70/S	20-40	40	60	60	20 (± 10)	10 (± 5)	–
--------------	-------	----	----	----	-----------	----------	---

**Material:** Aluminium 6060, AISI 304 stainless steel (clip-on)

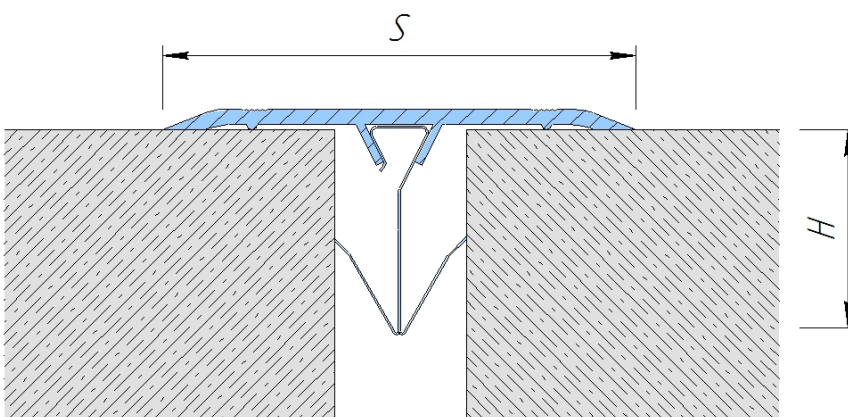
**Color:** Aluminium

**Standard length:** 3 meters

**On a by-order basis:** Any desired color according to the RAL catalogue, colored anodization, wood grain decorating

<sup>1</sup> Using in floor with the pedestrian loadings (F\* index)

**Installation:** It is performed on bracing clip-ons; for walls and ceilings is 1 piece per meter; for floors are 2 pieces per meter for S clip-ons and 1 piece per meter for L clip-ons. Follow recommendations on installation in Selection and Installation of Dewmark Profiles. General Recommendations Brochure.

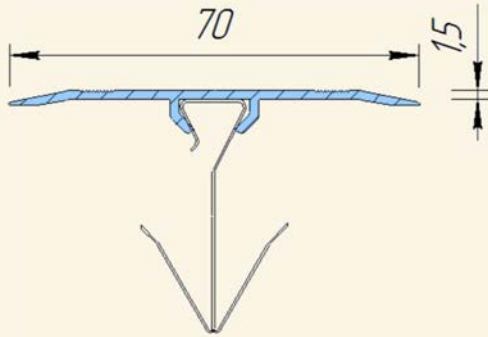


AV 13/70/S F

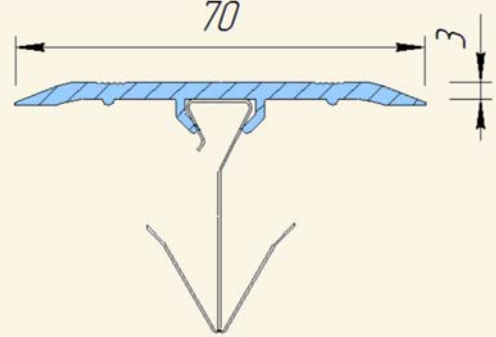


## AV 13/...

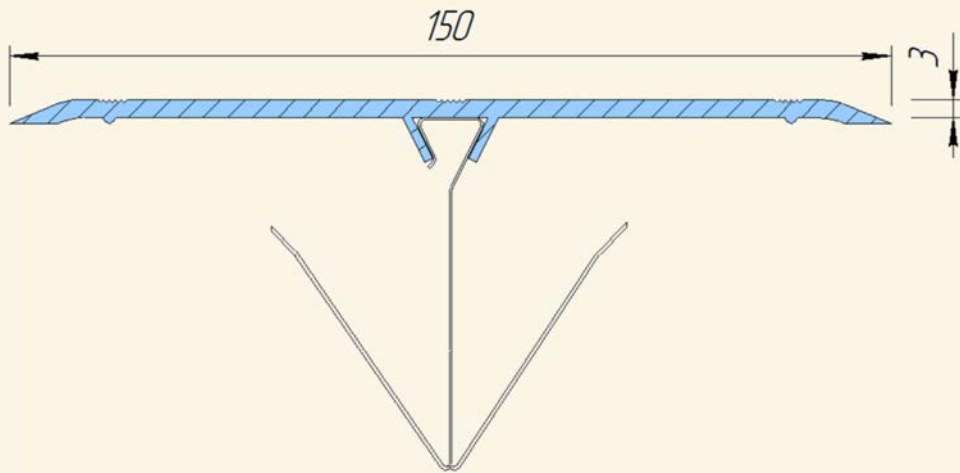
AV 13/70/S W



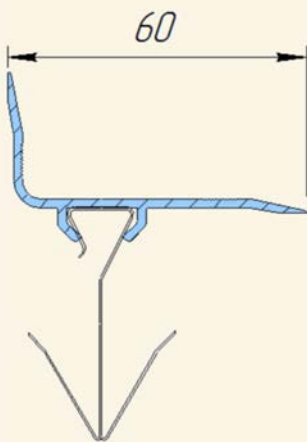
AV 13/70/S



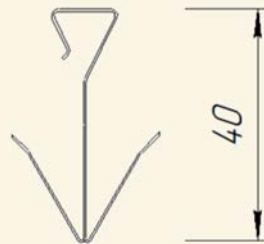
AV 13/150/L



AV-E 13/70/S



Clip «S»



Clip «L»

