



DEWMARK STANDART


SV 24/50/N

Profiles with a flexible insert Surface fixing

- For walls and floors In case of low pedestrian traffic
- Easy installation
- Attractive appearance
- Wide range of insert colors
- Joint width 50 mm



Technical Information

Profile	Joint width, F (mm)	Installation height, H (mm)	Visible width of profile, S (mm)	Overall width of profile, Sm (mm)	Horizontal movement, ΔF (mm)	Vertical movement, ΔFh (mm)	Allowable loads, κN
SV 24/50/N	50	11	130	130	16 (+8/-8)	10 (+5/-5)	 Pedestrian

Corner version (joint along wall)

SV-E 24/50/N	50	11	90	90	16 (+8/-8)	10 (+5/-5)	—
--------------	----	----	----	----	------------	------------	---

Material: Aluminium 6060, Plasticized PVC (UV and ozone resistant; operating temperature range:-30°C...120°C)

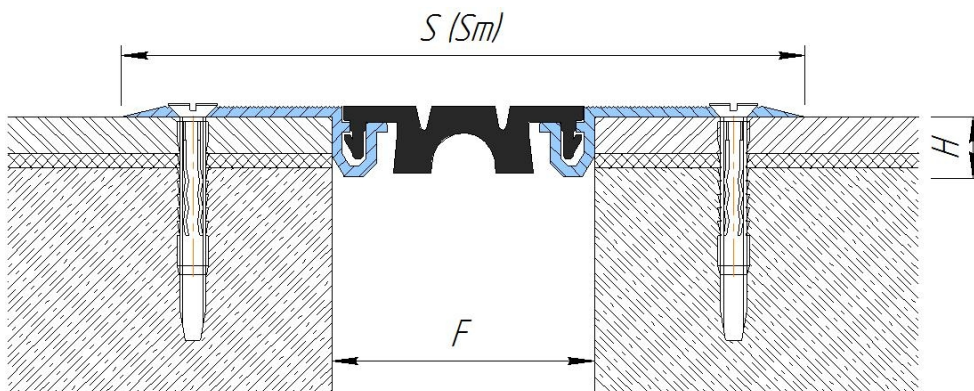
Color: black , grey (7035), beige (1015)

Standard length: Aluminium - 3 meters, insert - 25 meters

On order: Any desired color insert to the RAL catalogue

Extras: A profile can be equipped with various inserts (see page "insert options")

Installation: Roughnesses of a surface on which the profile is fixed have to be eliminated by MAPEGROUT leveling solution or similar. Aluminum profiles have to be installed on both sides of a joint and are snugged by anchors, regarding the recommendations about the choice of a fixture. For simplification of installation of an insert please use WD-40 lubricant (or an analog). Follow recommendations about installation from the brochure "Selection and installation of the Dewmark profiles. General recommendations".



SV 24/50/N