



DEWMARK  
WATERSTOP

OC-C

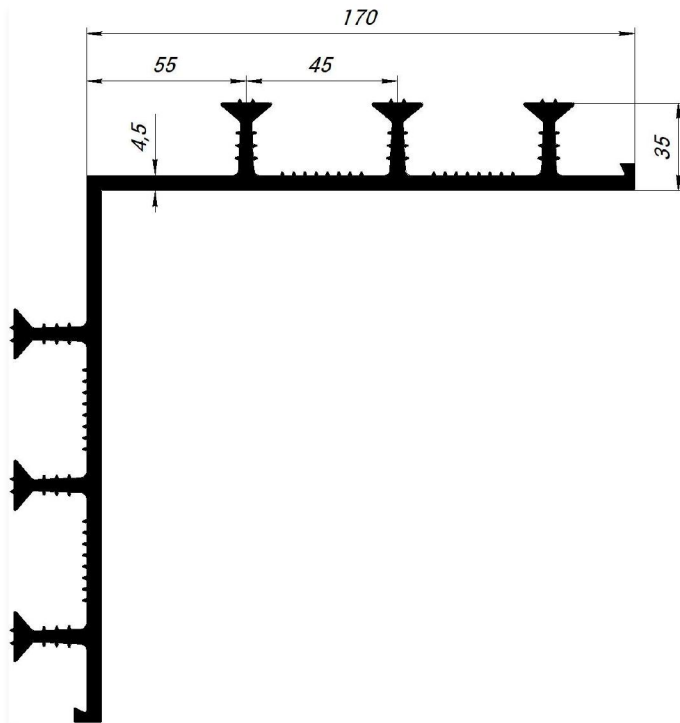
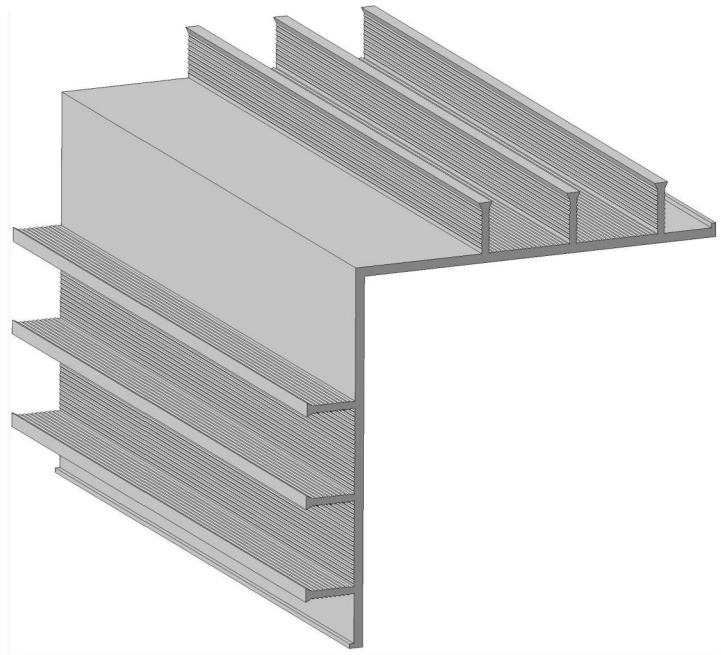
# Corner external waterstops for concrete joints



For concrete joints

type

OC-C 320/35/6



## specifications



**Material**  
PVC-P



**Length**  
in rolls of 25 meters



**Color**



**Additionally**  
rolls of the required length  
are possible